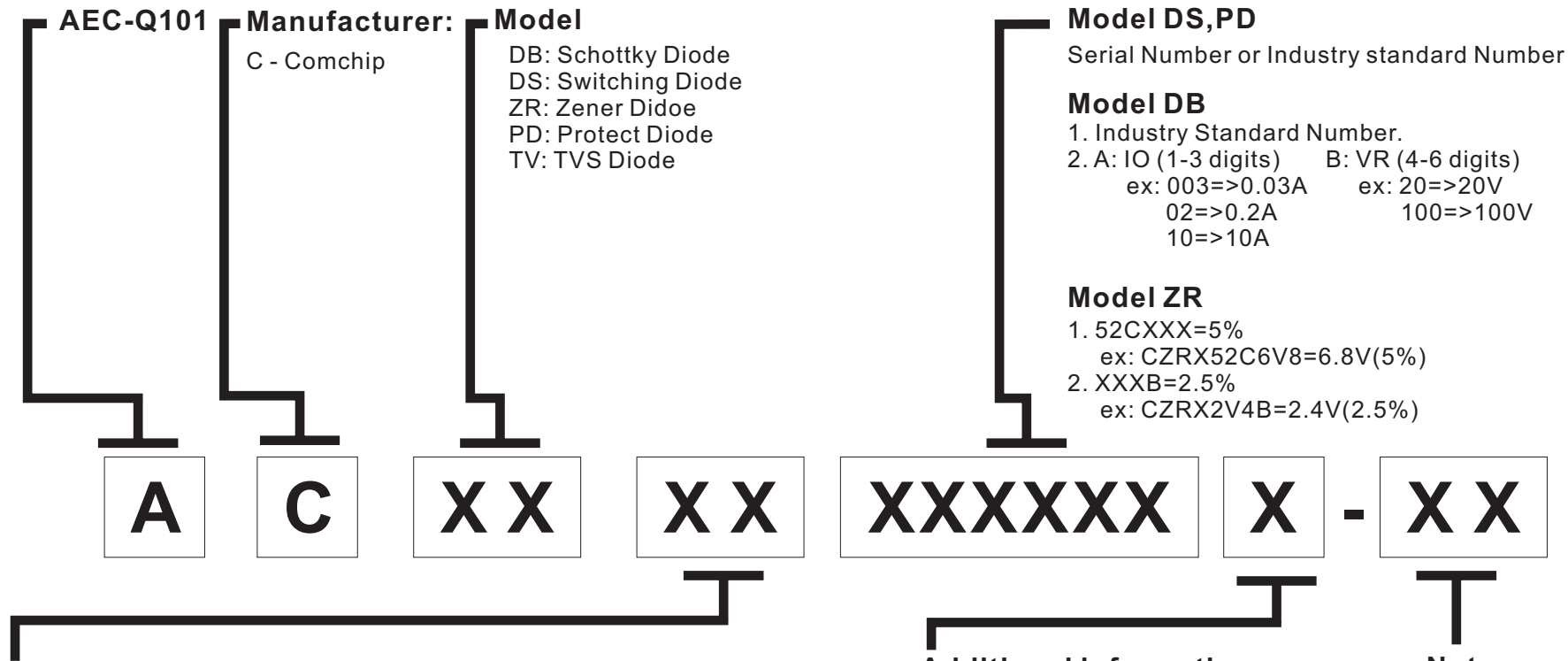


# Part Number System



**Package:**(Please refer to the attached table. )

EX:

- Z: 0201/0603 (DFN)(1-2 digits)
- Q: 0402/SOD-923F(DFN)(1-2 digits)
- QR: 0402/SOD-923F(DFN)(1-2 digits)
- QC: 0402/SOD-923F(DFN)(copper substrate)(1-2 digits)
- U: 0603/SOD-523F(Blind hole)
- UC: 0603/SOD-523F(DFN)(copper substrate)(1-2 digits)
- UR: 0603/SOD-523F(DFN)(1-2 digits)
- URT: 0603/SOD-523F(DFN)(1-2 digits)(Thinner)
- H: SOD-523
- ER: 0503/SOD-723F(DFN)(1-2 digits)
- P: SOD-723(DFN)(1-2 digits)
- F: 1005/SOD-323F(Blind hole)
- V: SOD-323(DFN)(1-2 digits)

## Additional information

1. **Circuit type of array diodes**  
ex: A - Common anode  
   C - Common cathode  
   S - in series
2. **Applications**  
ex: L - Low VF  
   LL - Ultra low VF  
   SL - Super low VF  
   R - Low IR  
   P - Low Capacitance  
   H - High Surge  
   C - Use Comchip Wafer.

## Model PD

1. Suffix U denotes Uni-directional parts.
2. No Suffix U denotes Bi-directional parts.

## Note

1. **Suffix D denotes**  
--> High surge parts.
2. **Suffix G denotes**  
--> RoHS parts.
3. **Suffix HF denotes**  
--> Halogen free parts.
4. **Suffix XX denotes**  
--> For customers with special needs parts.
5. **Suffix XXHF(or G) denotes**  
--> For second parts.