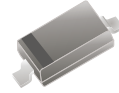


ASD101xWS-HF Series

RoHS Device
Halogen Free



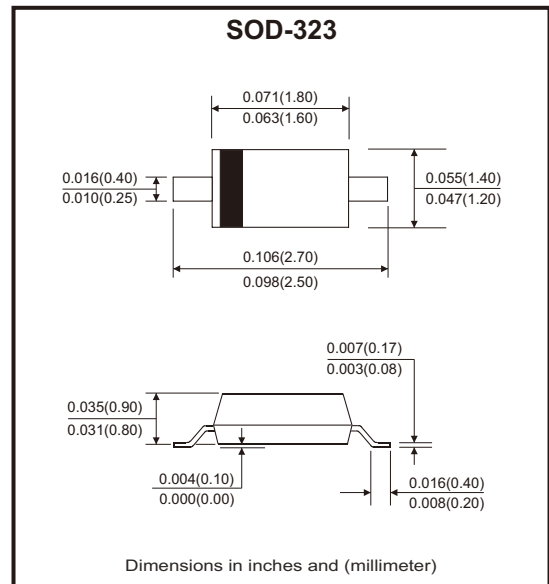
Features

- Epoxy meets UL-94 V-0 flammability rating.
- Moisture sensitivity Level 1.
- For surface mount application.
- AEC-Q101 Qualified.

Mechanical data

- Case: SOD-323, molded plastic.
- Terminals: Tin plated leads, solderable per J-STD-002 and JESD22-B102.
- Polarity: Cathode line denotes the cathode end.

Circuit Diagram



Maximum Rating (at Ta=25°C unless otherwise noted)

Parameter	Symbol	ASD101AWS-HF	ASD101BWS-HF	ASD101CWS-HF	Unit
Peak repetitive reverse voltage	V_{RRM}	60	50	40	V
Average forward current	I_{FAV}	0.07			A
Peak forward surge current 8.3ms, half sine	I_{FSM}	0.7			A
Power dissipation	P_D	200			mW
Thermal resistance junction to ambient	$R_{\theta JA}$	500			°C/W
Maximum junction temperature range	T_J	-55 to +125			°C
Storage temperature range	T_{STG}	-55 to +150			°C

Electrical Characteristics (at Ta=25°C unless otherwise noted)

Parameter	Symbol	Conditions	Min	Max	Unit
Reverse breakdown voltage	$V_{(BR)R}$	$I_R = 10\mu A$	60 50 40		V
Forward voltage	V_F	$I_F = 1mA$		0.41 0.40 0.39	V
Forward voltage	V_F	$I_F = 15mA$		1.0	V
Reverse leakage current	I_R	$V_R = 50V$ $V_R = 40V$ $V_R = 30V$		0.2	μA
Junction capacitance	C_J	$V_R = 1V, f = 1MHz$		4	pF

Rating and Characteristic Curves (ASD101AWS-HF Thru. ASD101CWS-HF)

Fig.1 - Forward Characteristics

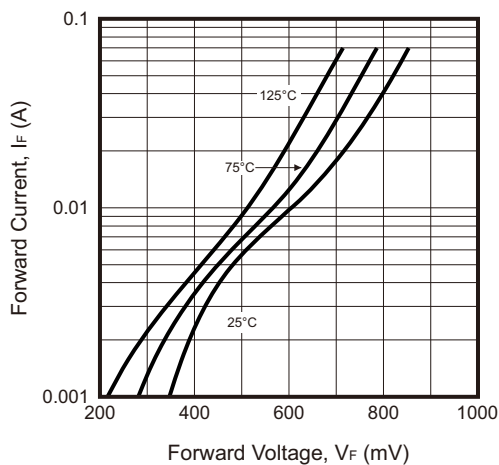


Fig.2 - Reverse Characteristics

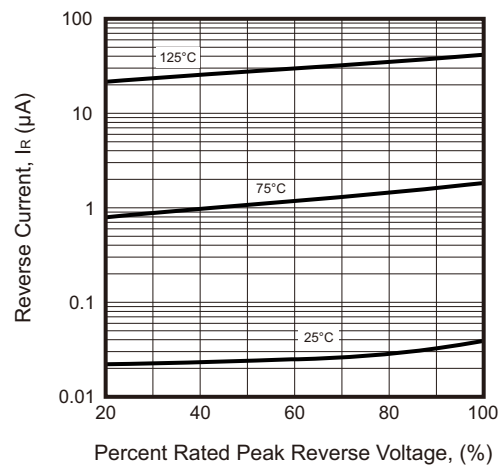
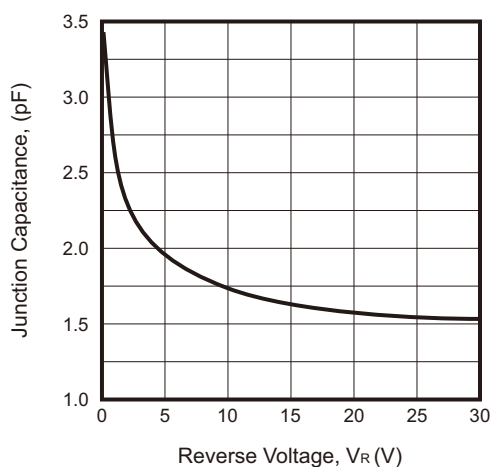


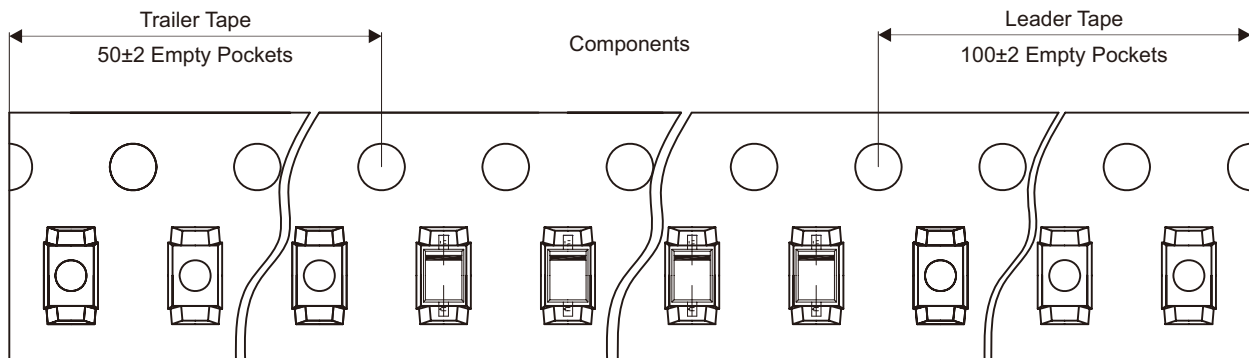
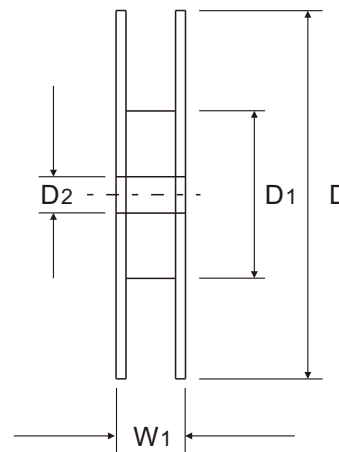
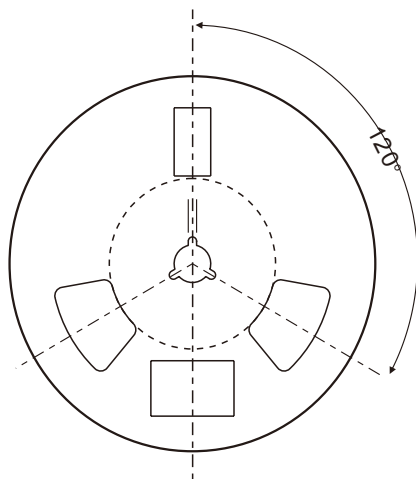
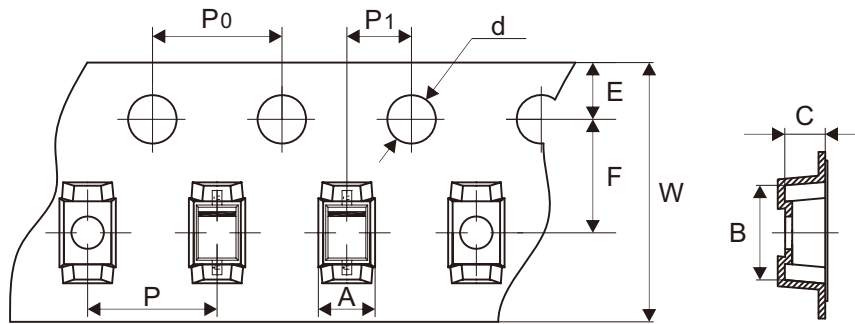
Fig.3 - Junction Capacitance



Company reserves the right to improve product design, functions and reliability without notice.

REV:A

Reel Taping Specification



SOD-323	SYMBOL	A	B	C	d	D	D1	D2
	(mm)	1.46 ± 0.10	2.90 ± 0.10	1.25 ± 0.10	$1.50 + 0.10 - 0.00$	178.00 ± 1.00	54.60 ± 0.20	13.30 ± 0.20
	(inch)	0.057 ± 0.004	0.114 ± 0.004	0.049 ± 0.004	$0.059 + 0.004 - 0.000$	7.008 ± 0.039	2.150 ± 0.008	0.524 ± 0.008

SOD-323	SYMBOL	E	F	P	P0	P1	W	W1
	(mm)	1.75 ± 0.10	3.50 ± 0.05	4.00 ± 0.10	4.00 ± 0.10	2.00 ± 0.05	$8.00 + 0.30 - 0.10$	9.60 ± 0.20
	(inch)	0.069 ± 0.004	0.138 ± 0.002	0.157 ± 0.004	0.157 ± 0.004	0.079 ± 0.002	$0.315 + 0.012 - 0.004$	0.378 ± 0.008

Company reserves the right to improve product design, functions and reliability without notice.

REV:A

Marking Code

Part Number	Marking Code
ASD101AWS-HF	S1.
ASD101BWS-HF	S2.
ASD101CWS-HF	S3.

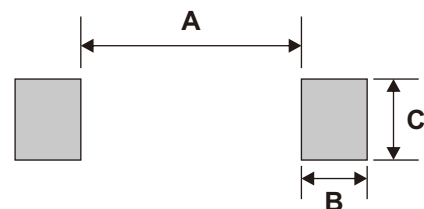


█ = Cathode band

xx = Product type marking code

Suggested P.C.B. PAD Layout

SIZE	SOD-323	
	(mm)	(inch)
A	1.88	0.074
B	0.56	0.022
C	0.69	0.027



Note: 1. The pad layout is for reference purposes only.

Standard Packaging

Case Type	REEL PACK	
	REEL (pcs)	Reel Size (inch)
SOD-323	3,000	7