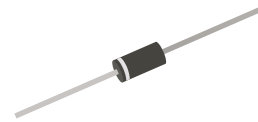


## 1N5400-G Thru. 1N5408-G

Voltage: 50 to 1000 V

Current: 3.0 A

RoHS Device

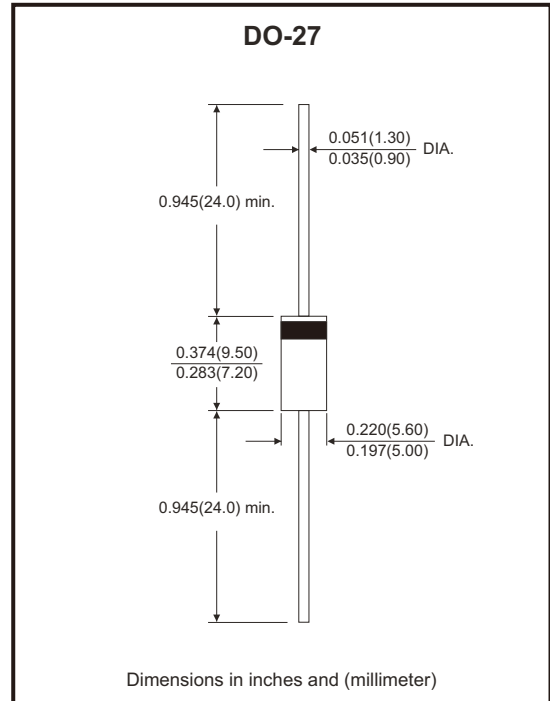


### Features

- Open junction chip.
- Low reverse leakage.
- High forward surge current capability.
- High temperature soldering guaranteed 250°C/10 seconds at terminals.

### Mechanical data

- Epoxy: UL 94V-0 rate flame retardant.
- Case: DO-27, molded plastic.
- Terminals: Solder plated, solderable per MIL-STD-750, method 2026.
- Polarity: Color band denotes cathode.
- Mounting position: Any.



### Circuit Diagram



### Maximum Ratings and Electrical Characteristics

Ratings at 25°C ambient temperature unless otherwise specified.  
Single phase, half wave, 60Hz, resistive or inductive load.  
For capacitive load, derate current by 20%.

Parameter	Symbol	1N5400 -G	1N5401 -G	1N5402 -G	1N5404 -G	1N5406 -G	1N5407 -G	1N5408 -G	Unit
Maximum repetitive peak reverse voltage	$V_{RRM}$	50	100	200	400	600	800	1000	V
Maximum RMS voltage	$V_{RMS}$	35	70	140	280	420	560	700	V
Maximum DC blocking voltage	$V_{DC}$	50	100	200	400	600	800	1000	V
Maximum average forward rectified current at $T_L=100^\circ\text{C}$	$I_{F(AV)}$	3.0							A
Peak forward surge current, 8.3ms single half sine-wave superimposed on rated load	$I_{FSM}$	150							A
Maximum instantaneous forward voltage at 3.0A	$V_F$	1.10							V
Maximum DC reverse current at rated DC blocking voltage	@ $T_A=25^\circ\text{C}$	10.0							$\mu\text{A}$
	@ $T_A=125^\circ\text{C}$	500							
Typical junction capacitance (Note 1)	$C_J$	50							pF
Typical thermal resistance	$R_{\theta JA}$	45							$^\circ\text{C/W}$
Operating junction and storage temperature range	$T_J, T_{STG}$	-55 to +150							$^\circ\text{C}$

Notes: 1. Measured at 1MHz and applied reverse voltage of 4.0V D.C.

Company reserves the right to improve product design, functions and reliability without notice.

REV:C

## Rating and Characteristic Curves (1N5400-G Thru. 1N5408-G)

Fig.1 - Derating Curve Output Rectified Current

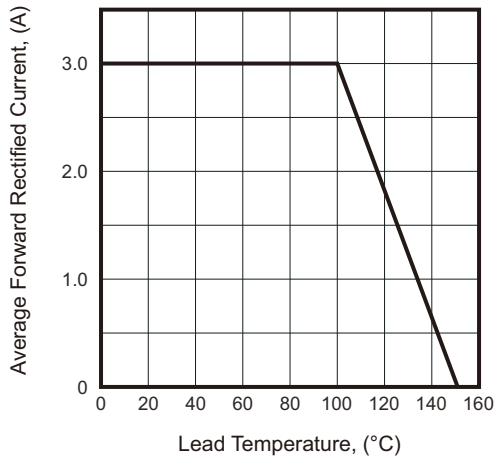


Fig.2 - Max. Non-Repetitive Peak Forward Surge Current Per Leg

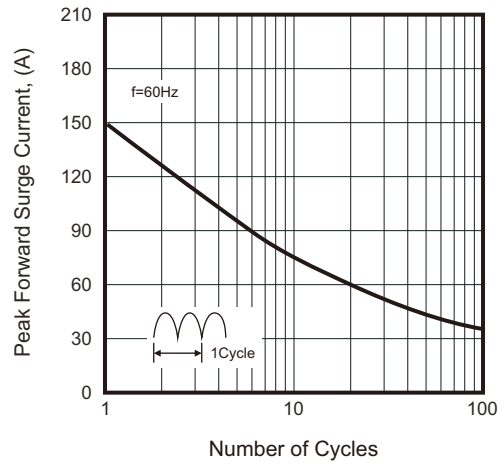


Fig.3 - Typical Forward Voltage Characteristics

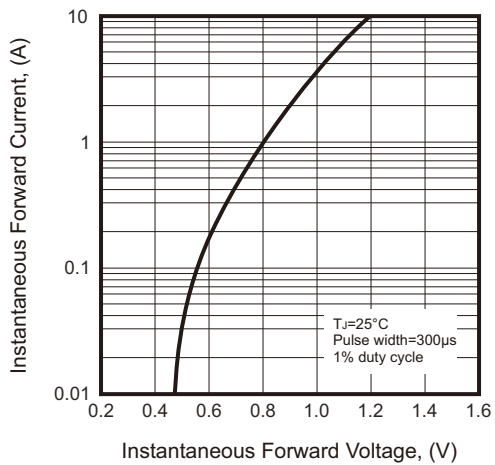
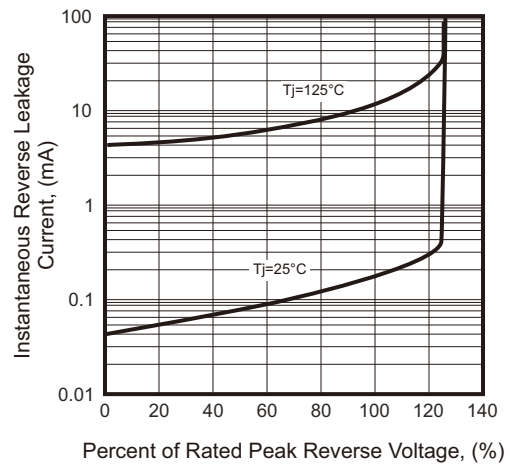
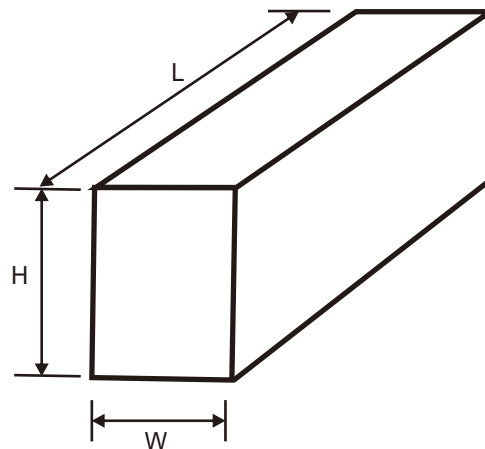
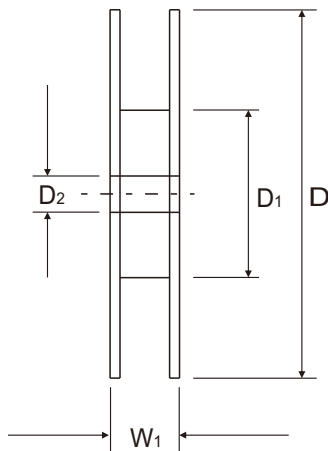
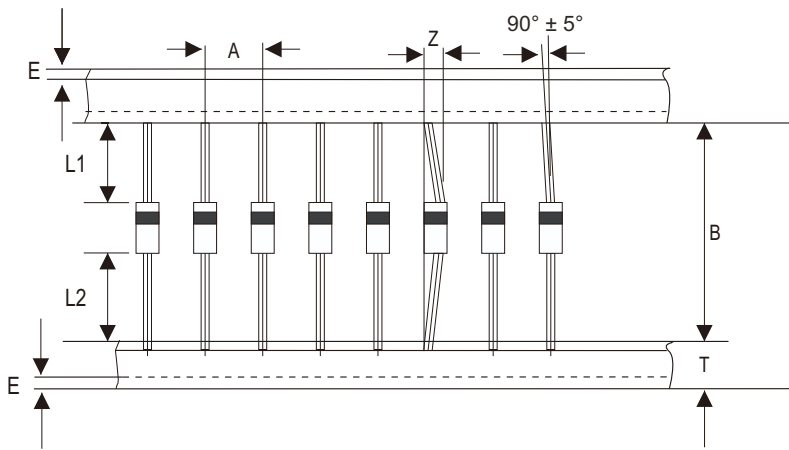


Fig.4 - Typical Reverse Leakage Characteristics



## Taping Specification For Axial Lead Diodes



DO-27	SYMBOL	A	B	Z	T	E	L1-L2
	(mm)	10.00 ± 0.50	52.40 + 1.50 - 0.40	1.20 (max)	6.00 ± 0.40	0.80 (max)	1.00 (max)
	(inch)	0.394 ± 0.020	2.063 + 0.059 - 0.016	0.047 (max)	0.236 ± 0.016	0.031 (max)	0.039 (max)

DO-27	SYMBOL	L	W	H	D	D1	D2	W1
	(mm)	255.00 ± 5.00	75.00 ± 5.00	150.00 ± 5.00	330	85.70 ± 0.30	16.60 ± 0.40	79.00 ± 1.00
	(inch)	10.039 ± 0.197	2.953 ± 0.197	5.906 ± 0.197	12.992	3.374 ± 0.012	0.654 ± 0.016	3.110 ± 0.039

Company reserves the right to improve product design , functions and reliability without notice.

REV:C

## Marking Code

Part Number	Marking code	Packaging
1N5400-G	1N5400	AMMO
1N5401-G	1N5401	
1N5402-G	1N5402	
1N5404-G	1N5404	
1N5406-G	1N5406	
1N5407-G	1N5407	
1N5408-G	1N5408	
1N5400T-G	1N5400	REEL
1N5401T-G	1N5401	
1N5402T-G	1N5402	
1N5404T-G	1N5404	
1N5406T-G	1N5406	
1N5407T-G	1N5407	
1N5408T-G	1N5408	
1N5400B-G	1N5400	BULK
1N5401B-G	1N5401	
1N5402B-G	1N5402	
1N5404B-G	1N5404	
1N5406B-G	1N5406	
1N5407B-G	1N5407	
1N5408B-G	1N5408	



**XX = Product type marking code**

Note:

1) Suffix code after part number to specify packaging item .

Packaging	Code
AMMO PACK	NA
REEL PACK	T
BULK PACK	B

## Standard Packaging

Case Type	AMMO PACK	
	BOX ( pcs )	
DO-27	1,200	

Case Type	BULK PACK	
	BOX ( pcs )	
DO-27	200	

Case Type	REEL PACK	
	REEL ( pcs )	Reel Size (inch)
DO-27	1,200	13

Company reserves the right to improve product design , functions and reliability without notice.

REV:C